



MIX COUNTERTOP HOT WATER - PUSH BUTTON

Programmable for on-demand and accurate water delivery in three separate temperatures and volumes.

- > 3 or 8 litre options
- > Up to 70% more energy-efficient
- > Removable drip tray
- > 28 litre output per hour
- > 156 cups (180ml) per hour

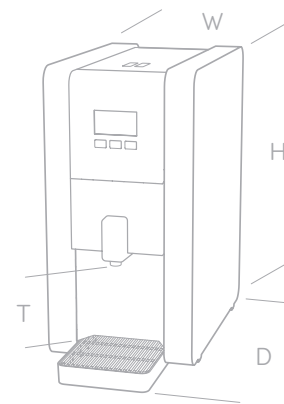
MIX PB3
1000870



MIX PB8
1000875



DIMENSIONS



SEE TABLE FOR
PRODUCT DIMENSIONS

SPECS

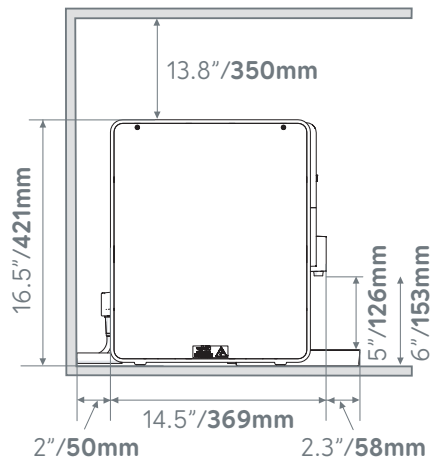
NAME ORDER CODE	POWER @ 230V	IMMEDIATE DRAW OFF	DIMENSIONS (D x W x H mm)	TAP TO COUNTER (T mm)	PLUMBING REQS
MIX PB3 1000870	2.8kW	3L	435 x 210 x 421	126	3/4" BSP
MIX PB8 1000875		8L	435 x 210 x 592	127	

PACKAGING

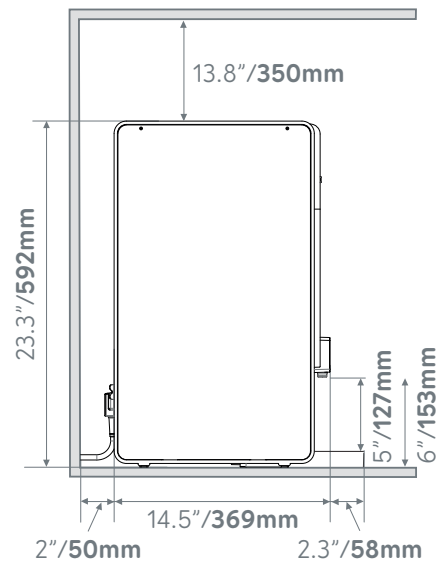
NAME ORDER CODE	PACKED WEIGHT	PACKAGING DIMENSIONS (L x W x H mm)	QTY / PALLET
MIX PB3 1000870	11kg	450 x 290 x 540	24
MIX PB8 1000875	14kg	450 x 290 x 700	18

MIX PB3 & MIX PB8

MIX PB3 1000870



MIX PB8 1000875

**VENTILATION REQUIREMENTS**

50mm/1.9" clearance required at each side and back of machine if installed in an enclosed cabinet.

ELECTRICAL INSTALLATION PROCEDURE

When installing the machine, always observe the local regulations and standards. The standard machine is supplied with a UK 3-pin plug. For EU models a 2-pin CEE-7 plug will be supplied. US models will be supplied with the suitable plug. A suitable mains power supply socket should be available within easy access of the appliance so that it can be disconnected easily after install.

PLUMBING INSTALLATION PROCEDURE

- > Ensure that the equipment is installed according to local plumbing & water regulations.
- > Mains water pressure required (limits): 14.5 - 145psi (100 - 1000kPa, 0.1 - 1MPa).
- > Requires inline water filter within your water specifications.
- > The machine is supplied with a 3/4" BSP connection.
- > Turn on the water to flush any impurities, dust etc from the inlet hose and water pipe. Allow several litres through, especially for new installations.

- > Connect the hose to the inlet valve of the boiler. Make sure a sealing washer is fitted.
- > Turn on water and check for leaks.

OPERATING BOILER FOR THE FIRST TIME

- > Check that all installation procedures have been carried out.
- > Ensure water valve is on.
- > Plug boiler into suitable socket.
- > Turn on the power switch.
- > The "Wait" progress circle will be visible on the screen and the machine will fill to a safe level, above the elements, before heating.
- > The "Ready" tick will come up on screen when the machine is full and up to normal operating temperature (approx. 10/20 mins).
- > The boiler is now ready for use - the display will show the button settings and the "Ready" status tick.
- > The boiler may now be used to dispense Hot Water to the preset factory settings.

NOTE: Because the boiler is electronically controlled no priming is necessary. The element cannot switch on until a safe level of water is reached.