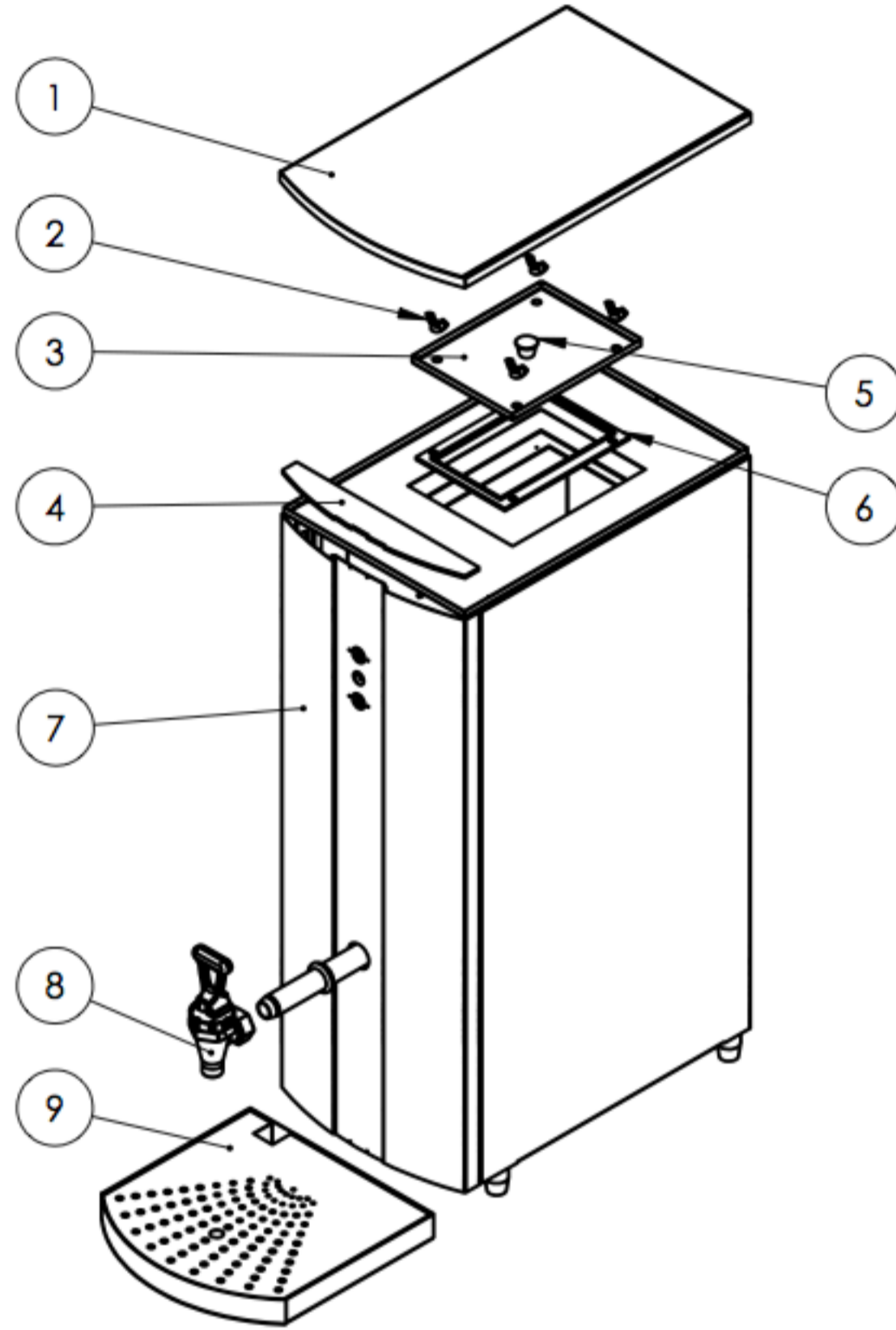
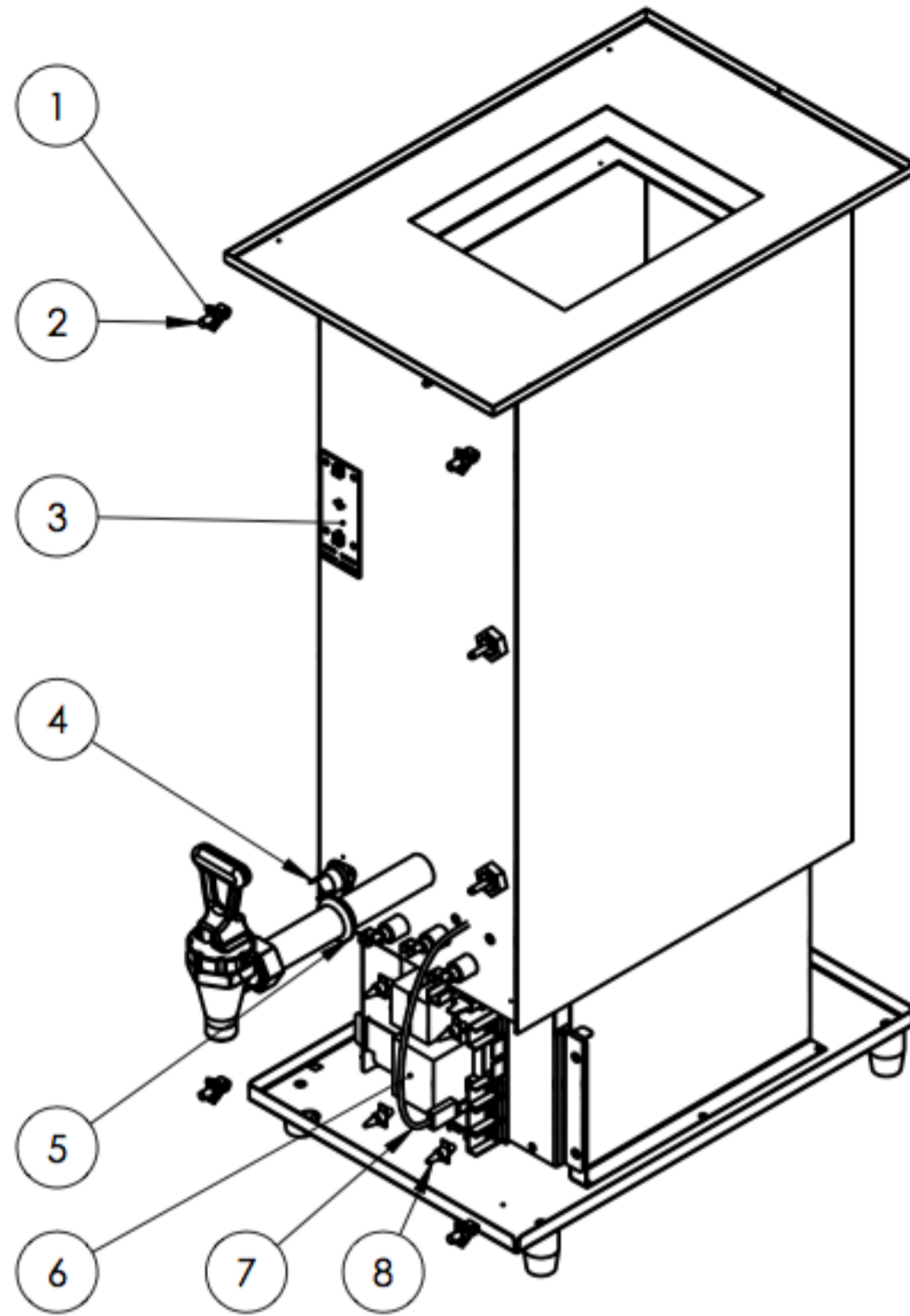




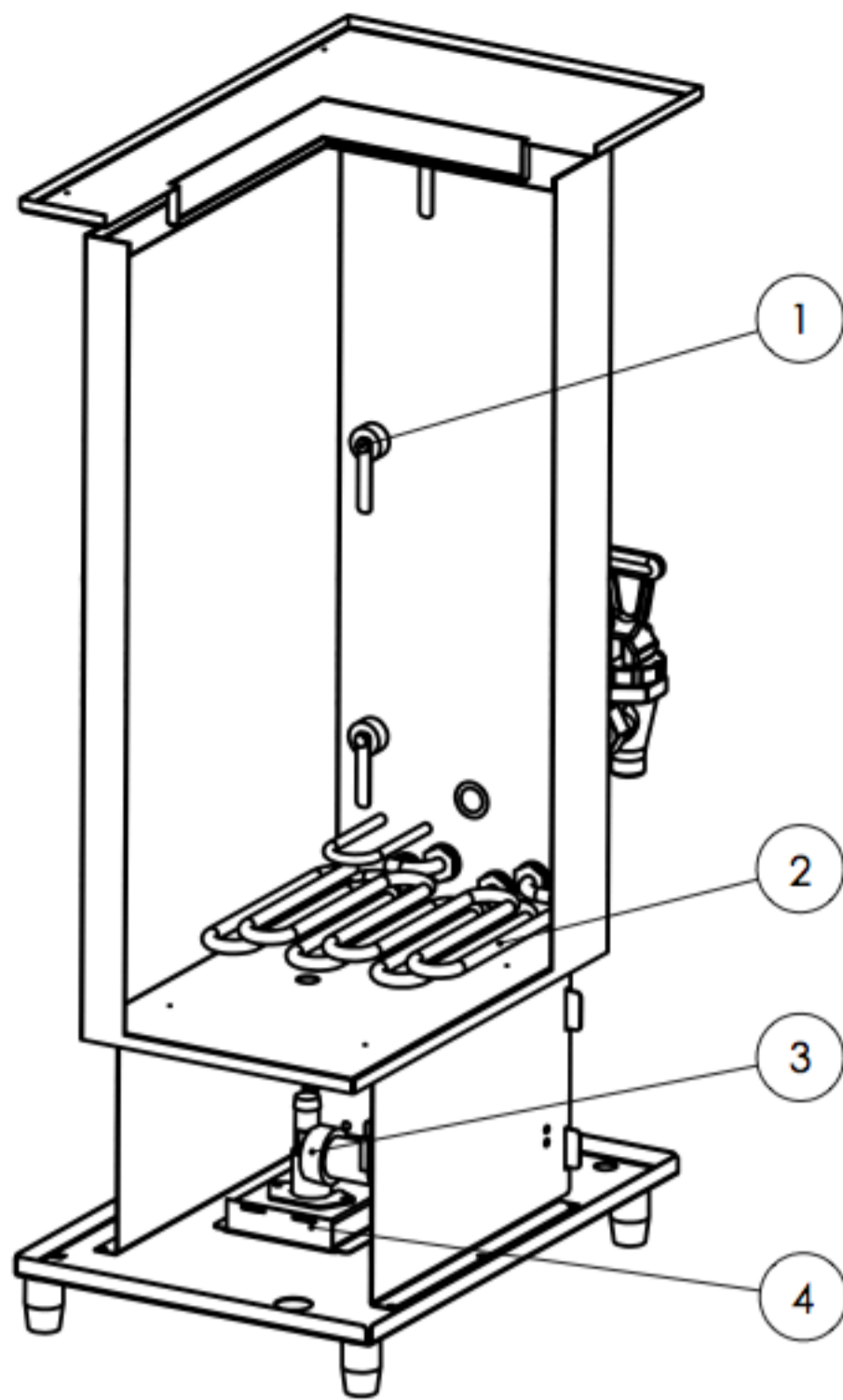
Ecoboiler T20



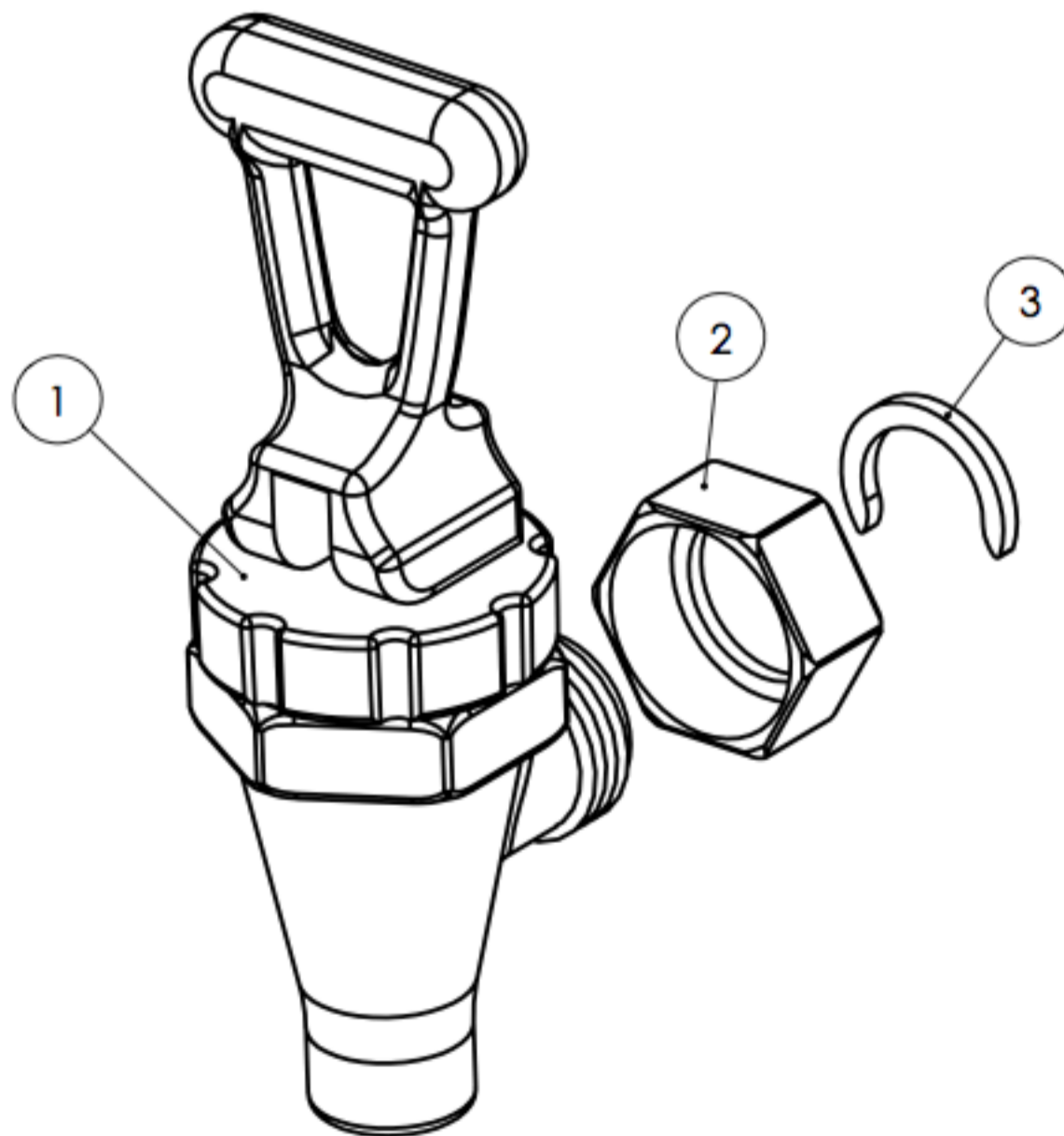
ITEM NO.	PART NUMBER	DESCRIPTION	
1	2300437	OUTER LID	1 Add to cart
2	1401279	NUT M6 S/S WING	1 Add to cart
3	2300439	INNER LID	1 Add to cart
4	1800308	GASKET ECO 20L FRONT 239mm	1 Add to cart
5	1800720	KNOB LID BLACK 15mm	1 Add to cart
6	1800306	GASKET INNER ECOBOILER	1 Add to cart
7	1801427	FRONT PANEL	1 Add to cart
8	2100279	TAP SUB ASSEMBLY	1 Add to cart
9	2300192	DRIP TRAY COMPLETE	1 Add to cart



ITEM NO.	PART NUMBER	DESCRIPTION	
1	1402146	CLIP LATCH SELF MOUNT	<input type="checkbox"/> Add to cart
2	1402147	LATCH STUD M5 MALE	<input type="checkbox"/> Add to cart
3	1600349	PCB ECOBOILER DISPLAY 10L	<input type="checkbox"/> Add to cart
4	1502087	THERMAL SWITCH 130 DEG	<input type="checkbox"/> Add to cart
5	1800370	GROMMET PVC 25 X 1.6 X 21mm	<input type="checkbox"/> Add to cart
6	1600345	ECO MAIN PCB	<input type="checkbox"/> Add to cart
7	1600691	THERMISTOR ASSEMBLY	<input type="checkbox"/> Add to cart
8	1801230	PILLAR SUPPORT PCB	<input type="checkbox"/> Add to cart



ITEM NO.	PART NUMBER	DESCRIPTION	
1	2301463	PROBE COMPLETE ASSEMBLY 40mm	1 Add to cart
2	1500985	ELEMENT 2.8kW 230V	1 Add to cart
3	1502190	VALVE INLET SOLENOID 240V 3/4"	1 Add to cart
4	1800690	WATER INLET HOSE WHITE	1 Add to cart



ITEM NO.	PART NUMBER	DESCRIPTION	
1	2100155	TAP HANDLE ASSEMBLY	1 Add to cart
2	1401170	NUT CP 3/4" BSP CHROMED	1 Add to cart

